

Street Light



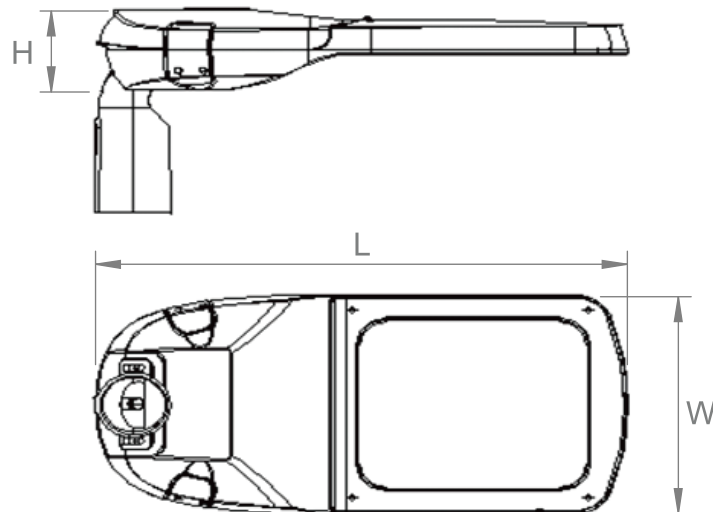
SOWELL

SOWELL VIETNAM CO., LTD

Standard Street Light



Dimensions:



Street Light



Features:

- High-thermal conductivity
- All metal structure, built-in driver
- IP66 protection grade
- 50,000 hours long life span
- Output wattage: 50W, 100W, 150W
- 3 years warranty

Standards:

EN55015	IEC61347-2-13
IEC60598-1	IEC61547
IEC60598-2-1	IEC62031
IEC61000-3-2	IEC62384
IEC61000-3-3	IEC62471
IEC61347-1	

CE RoHS

Specification:

Model Number	SKSL-5000	SKSL-5010	SKSL-5020
Power (Full)	50W	100W	150W
Luminous Flux @5000K	7500lm	15000lm	22500lm
Power Factor	>0.9		
Input Voltage	100-240V AC 50/60Hz		
CCT	2700-6500K		
CRI	Ra > 70		
Luminous Efficacy @5000K	150lm/W		
IP Grade	IP66		
Beam Angle	155°*80°		
Material	Polycarbonate, Aluminum		
Working Temperature	-40°C ~ +50°C		
Life Span	50,000 hours		
Dimensions	L436*W200*H105mm	L490*W233*H105mm	L553*W260*H105mm